

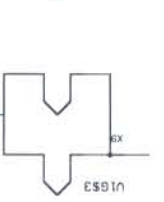
STAGE & STUDIO Eng.
LINZ / AUSTRIA

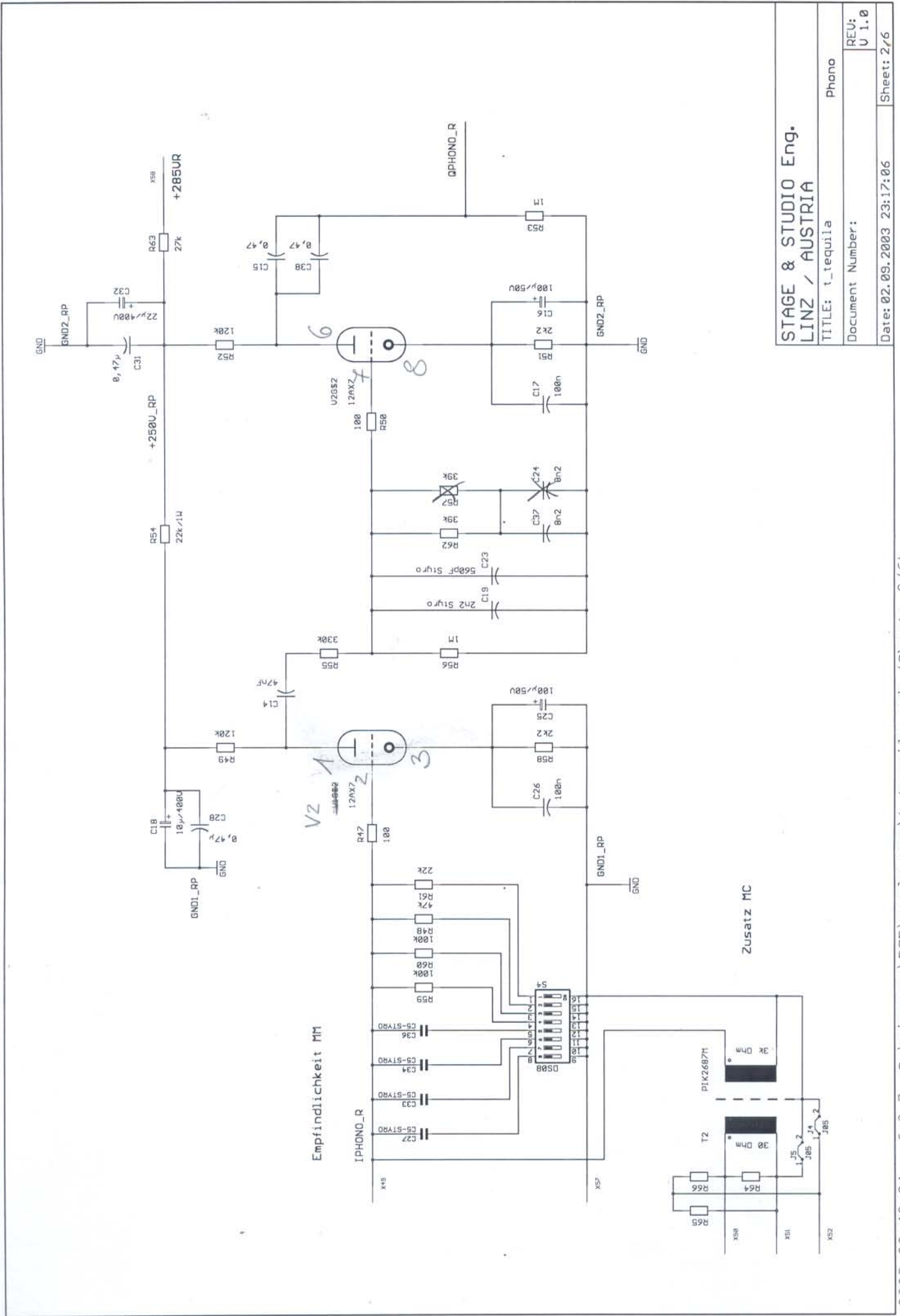
TITLE: t_tequila

Document Number:

Date: 02.09.2003 23:17:06

Sheet: 1/6

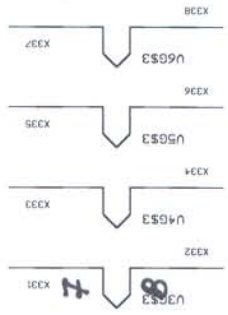
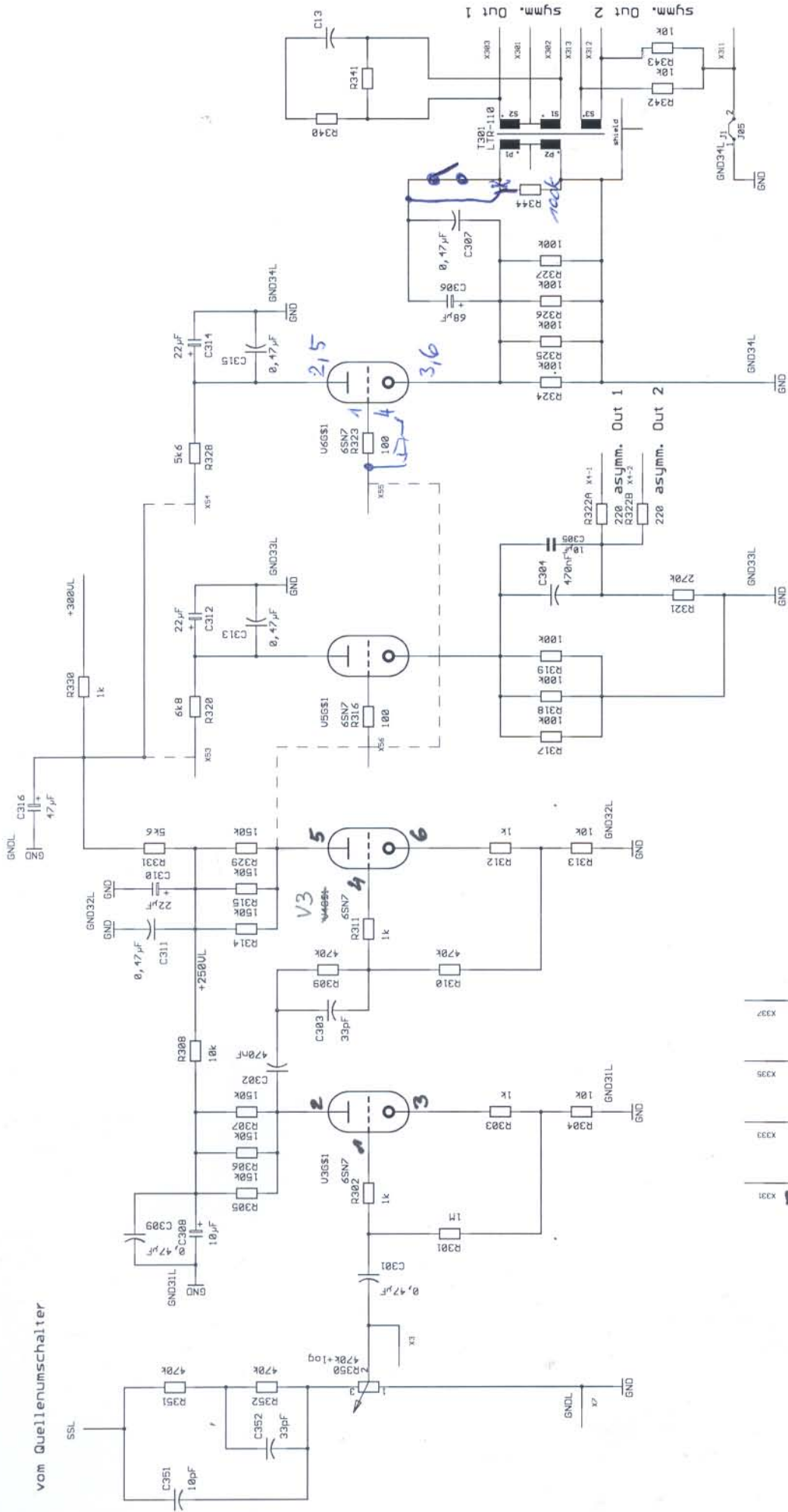




STAGE & STUDIO Eng.
LINZ / AUSTRIA

TITLE: t_tequila	Phono
Document Number:	REU: U 1.0
Date: 02.09.2003 23:17:06	Sheet: 2/6

vom Quellenumschalter



STAGE & STUDIO Eng.
LINZ / AUSTRIA

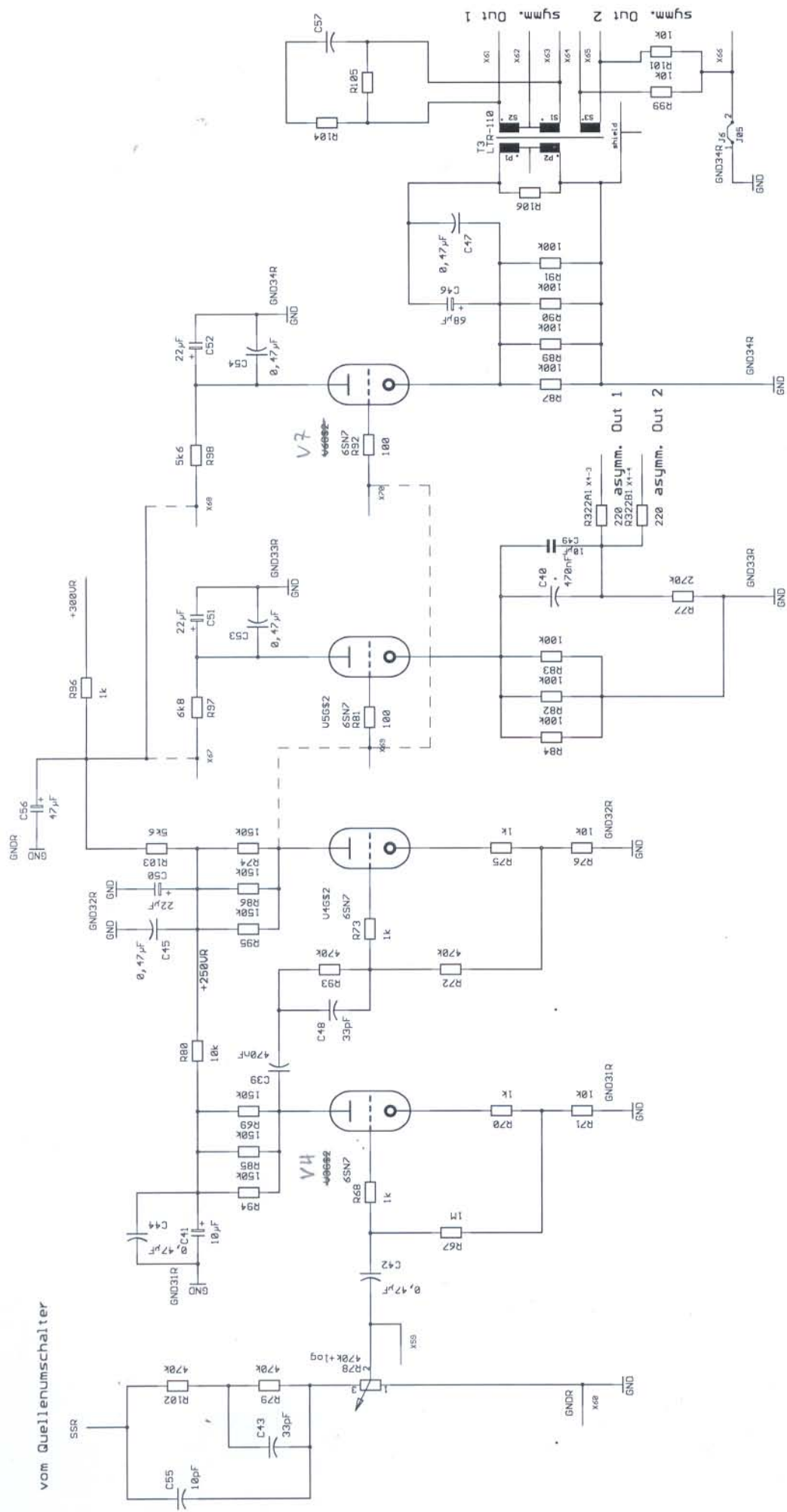
TITLE: t_tequila

Document Number:

Date: 02.09.2003 23:17:06

Sheet: 3/6

vom Quellenumschalter



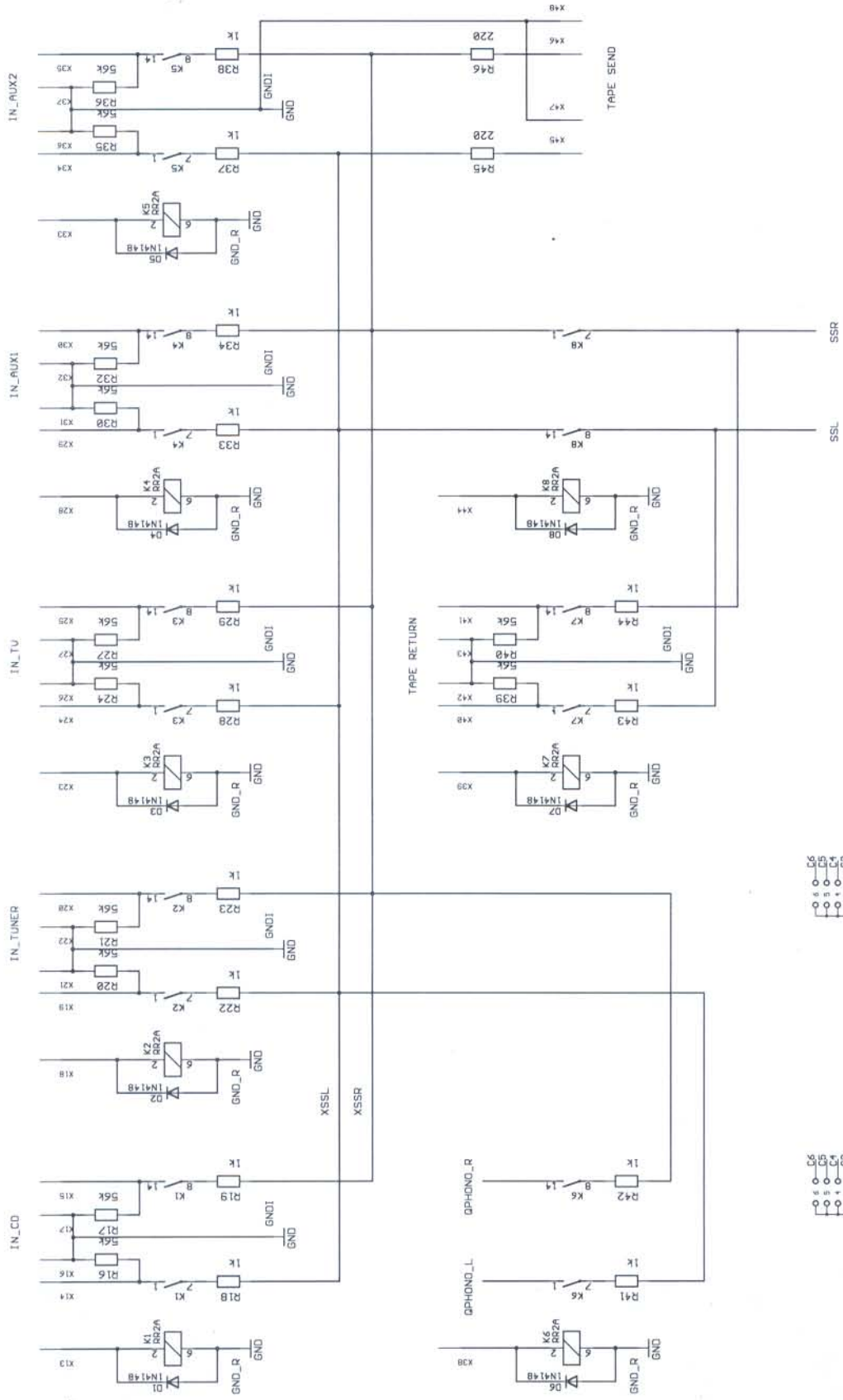
STAGE & STUDIO Eng.
LINZ / AUSTRIA

TITLE: t_tequila
Document Number:

LINE + DRIVE
REU:
U 1.0

Date: 02.09.2003 23:17:06

Sheet: 4/6



STAGE & STUDIO Eng.
LINZ / AUSTRIA

TITLE: t_tequila

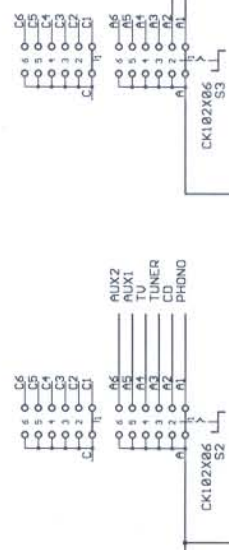
Document Number:

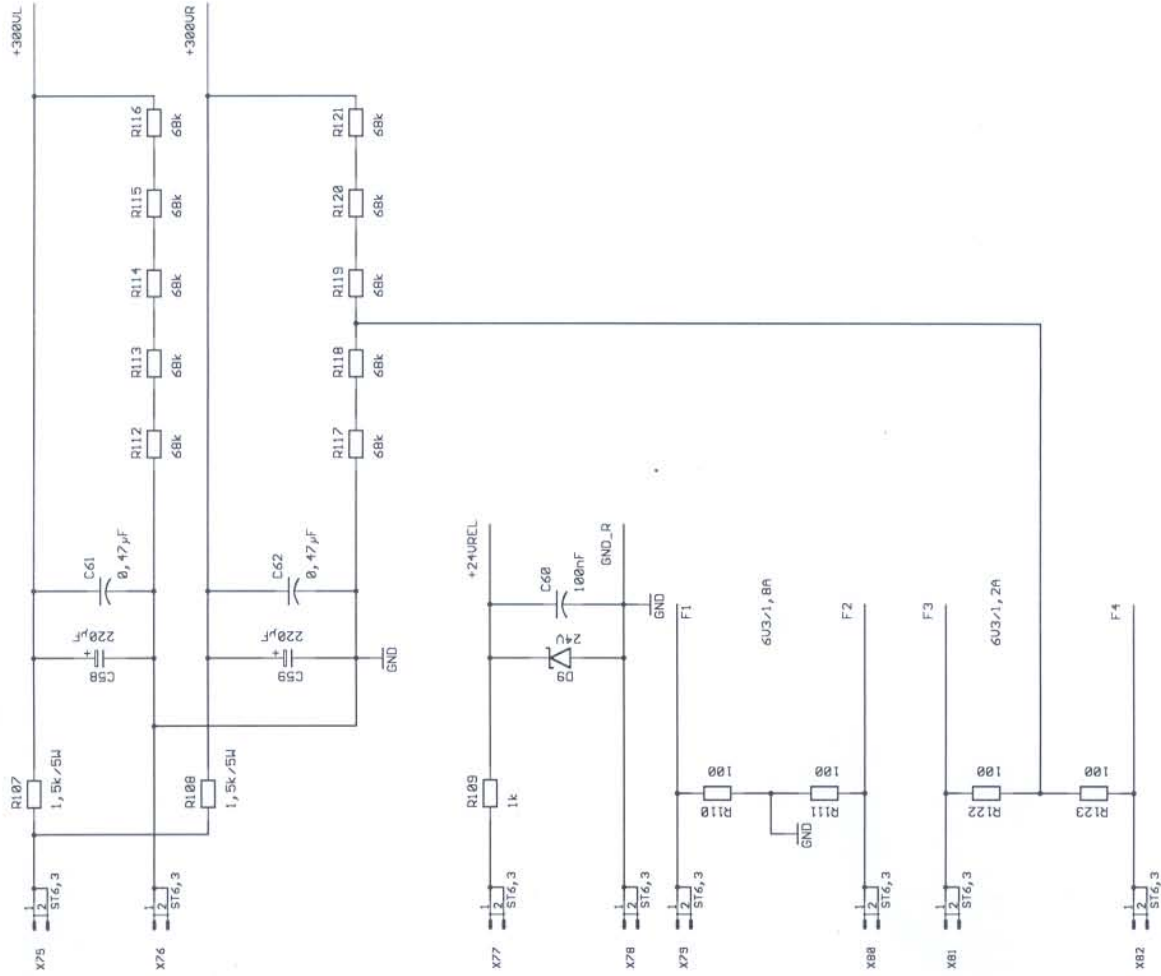
Eingänge

REV: U 1.0

Date: 02.09.2003 23:17:06

Sheet: 5/6





**STAGE & STUDIO Eng.
LINZ / AUSTRIA**

TITLE: t_tequila		Stranversorgung
Document Number:		REU: U 1.0
Date: 02.09.2003	23:17:06	Sheet: 6/6