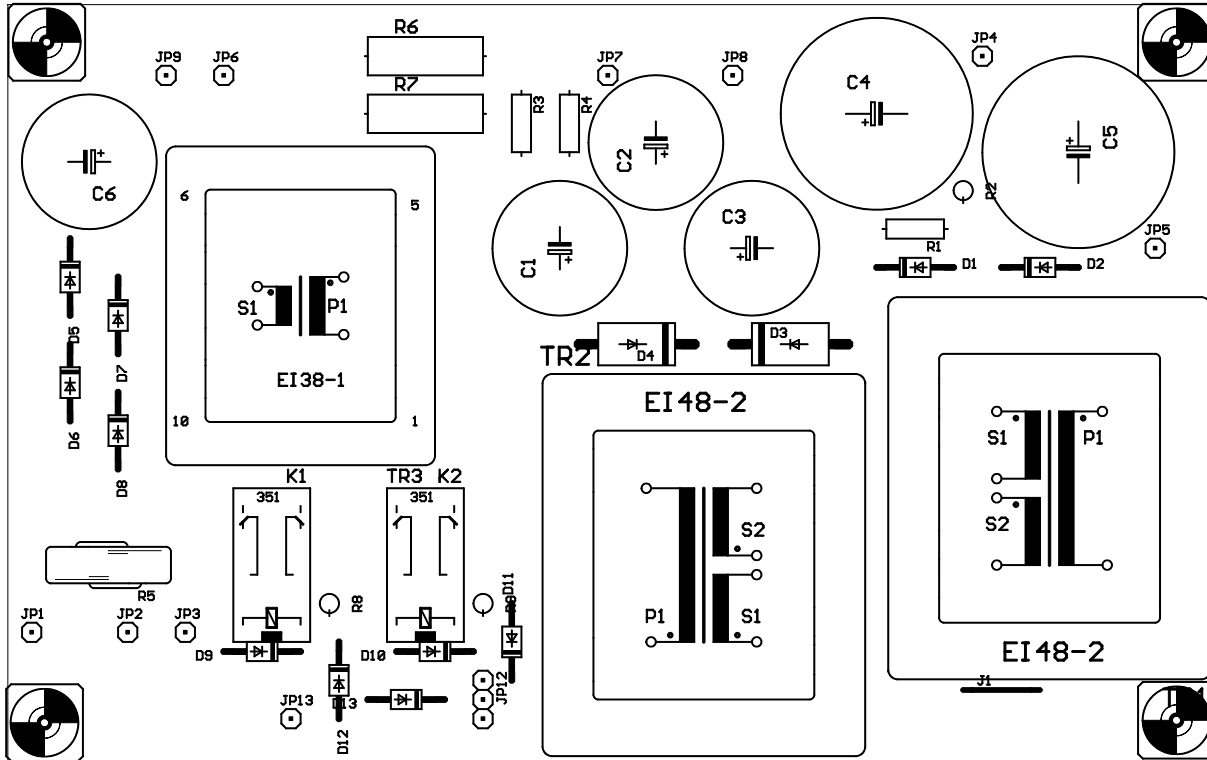


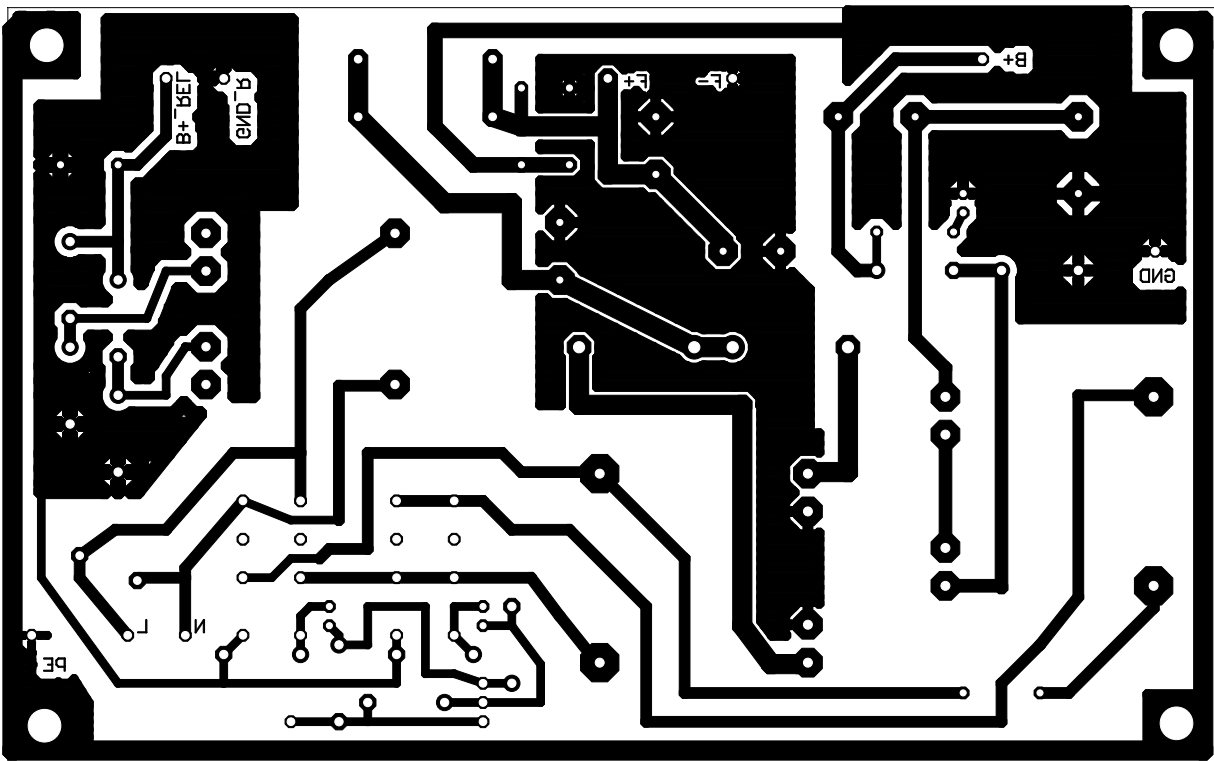
TUBECLINIC LINZ/AUSTRIA

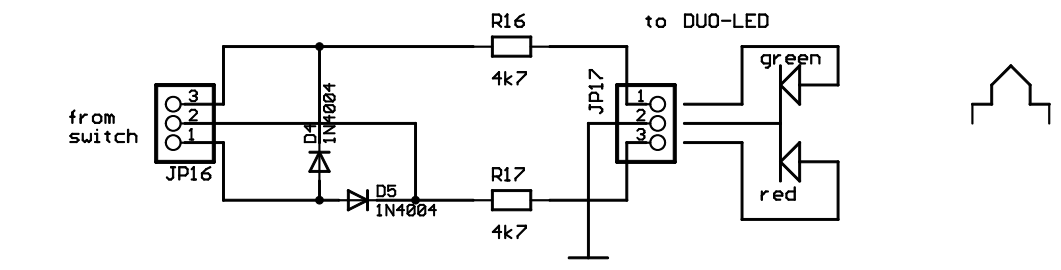
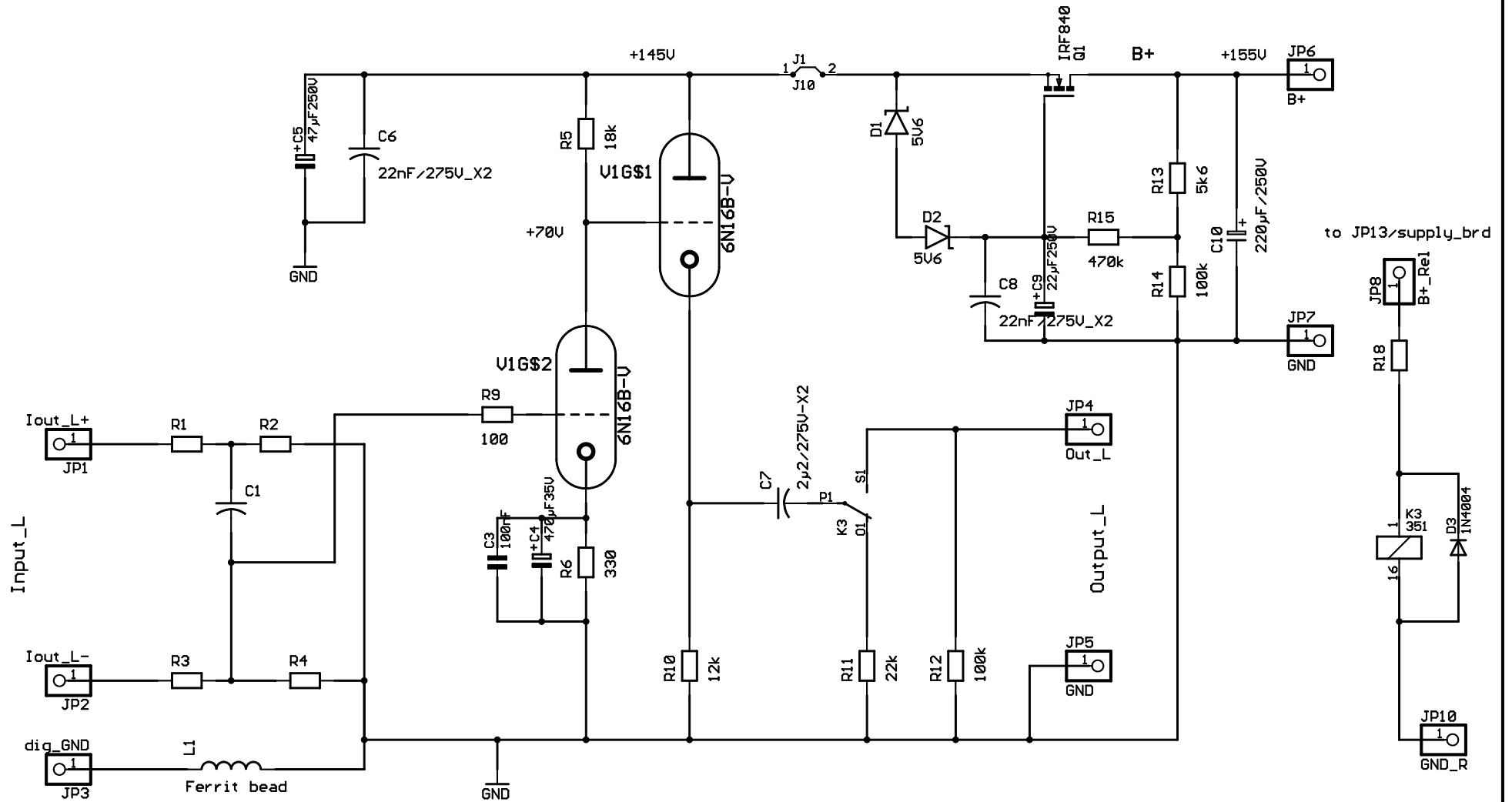
TITLE: DAC_supply

Document Number: NITRO-DAC

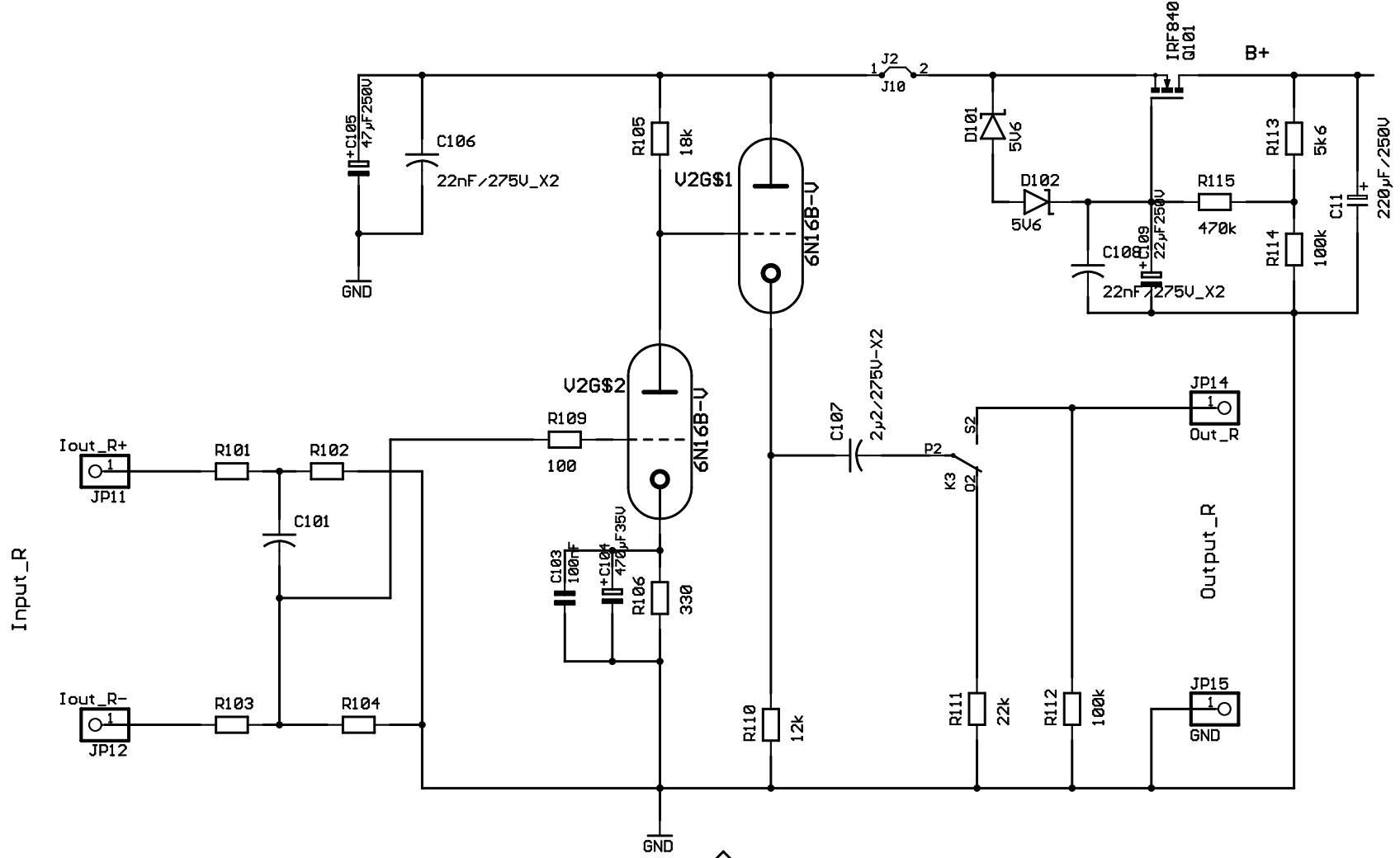
REV: v 1.0







TUBECLINIC		LINZ/AUSTRIA
TITLE: V2-1_DAC_Iout_AudioPart		
Document Number:		REV:
NITRO-DAC		v 1.0
Date: 30.07.2012 15:34:28		Sheet: 1/2

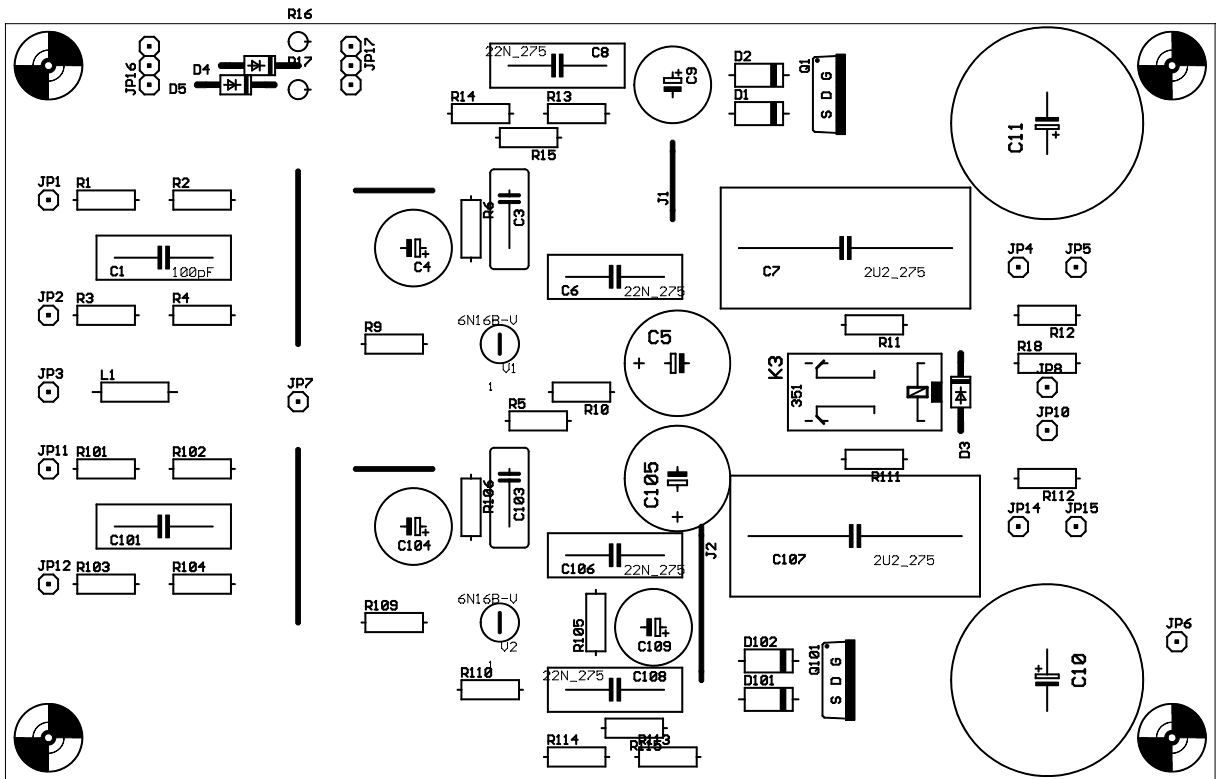


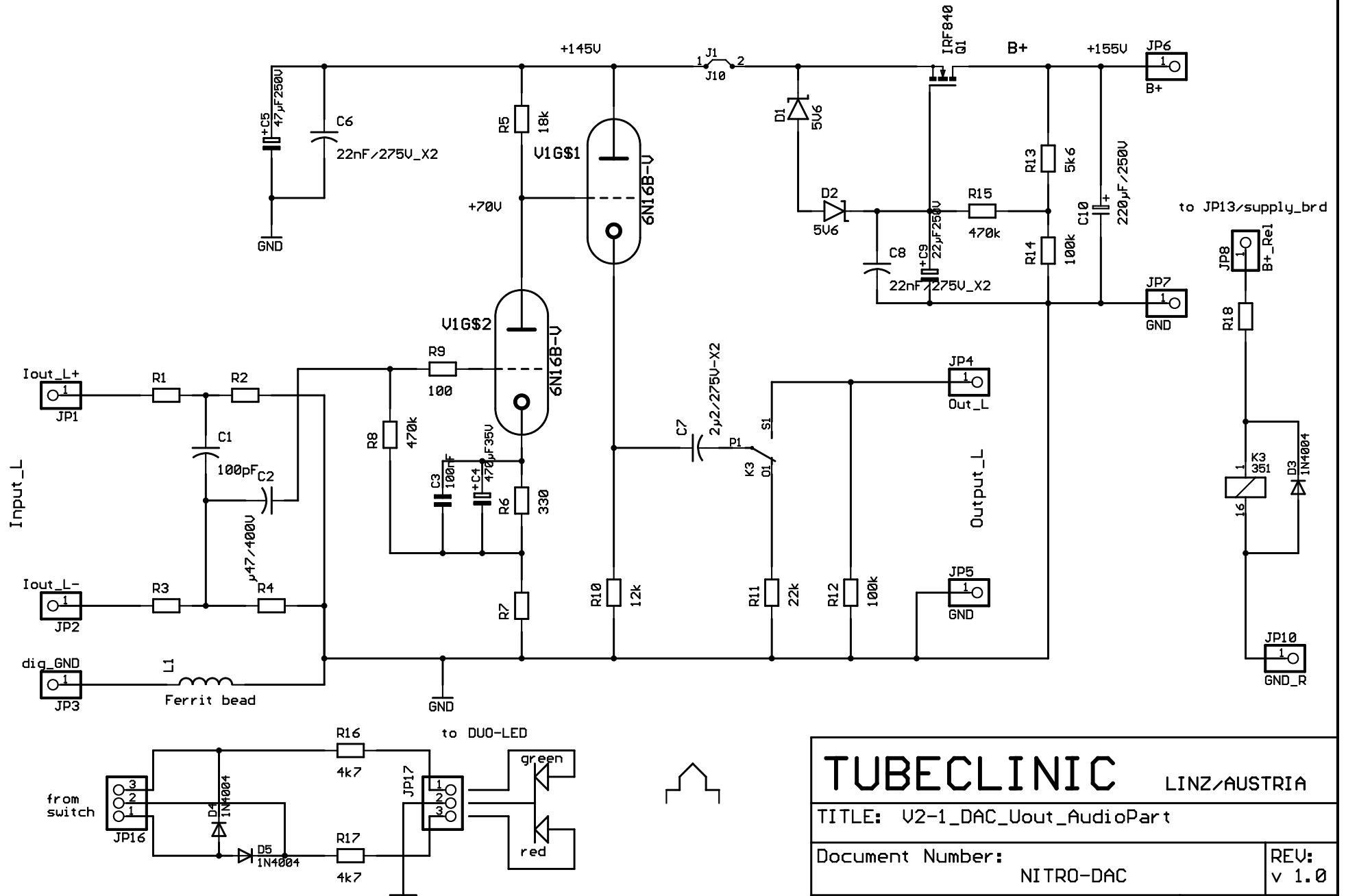
- PAD1 B04,1P
- PAD2 B04,1P
- PAD3 B04,1P
- PAD4 B04,1P

<h1>TUBECLINIC</h1>		LINZ/AUSTRIA
TITLE: U2-1_DAC_Iout_AudioPart		
Document Number: NITRO-DAC		REV: v 1.0
Date: 30.07.2012 15:34:28		Sheet: 2/2

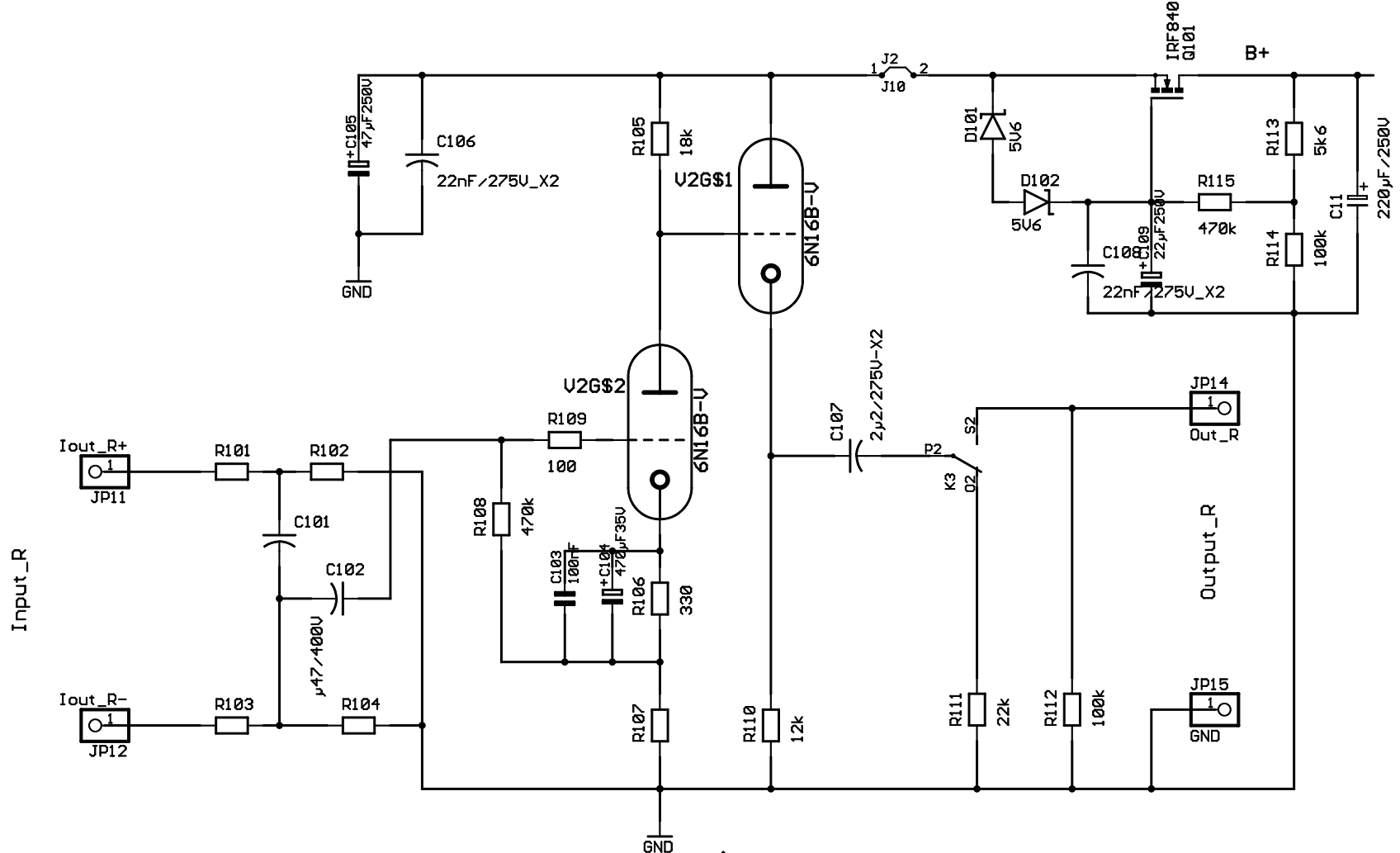
Input_R

Output_R





TUBECLINIC		LINZ/AUSTRIA
TITLE: V2-1_DAC_Uout_AudioPart		
Document Number: NITRO-DAC		REV: v 1.0
Date: 30.07.2012 15:28:54	Sheet: 1/2	



- PAD1 B04,1P
- PAD2 B04,1P
- PAD3 B04,1P
- PAD4 B04,1P

TUBECLINIC		LINZ/AUSTRIA
TITLE: U2-1_DAC_Uout_AudioPart		
Document Number:		REV:
NITRO-DAC		v 1.0
Date: 30.07.2012 15:28:54		Sheet: 2/2

