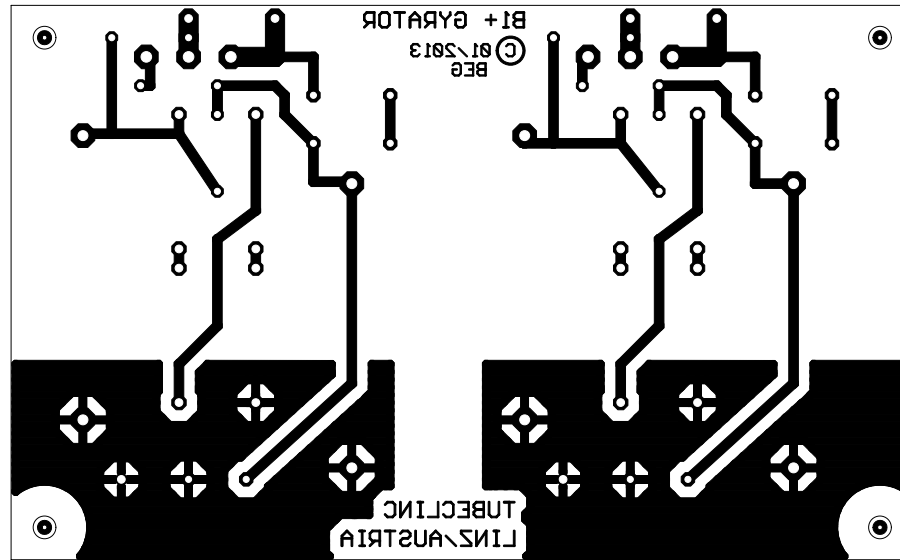


TUBECLINIC		LINZ/AUSTRIA
TITLE: B1+_gyrator		
Document Number:	201301_01	REV: U1.0
Date: 23.01.2013 18:34:14	Sheet: 1/1	

POWER-MOSFETs mounted from copper sidel



POWER-MOSFETs mounted from copper side

